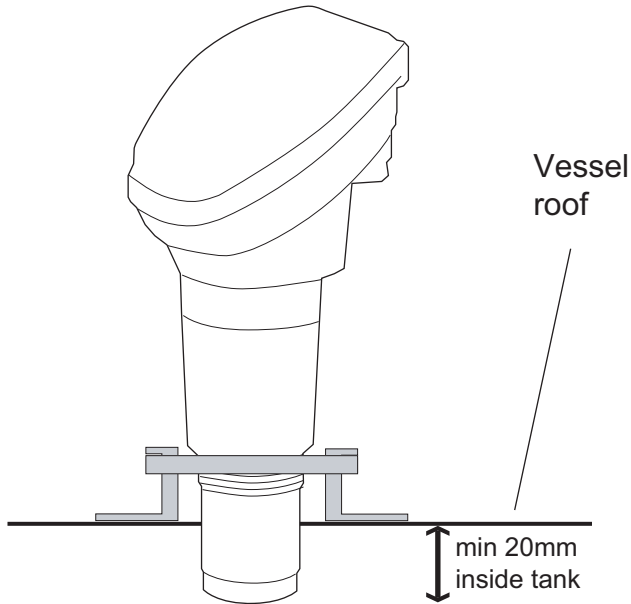
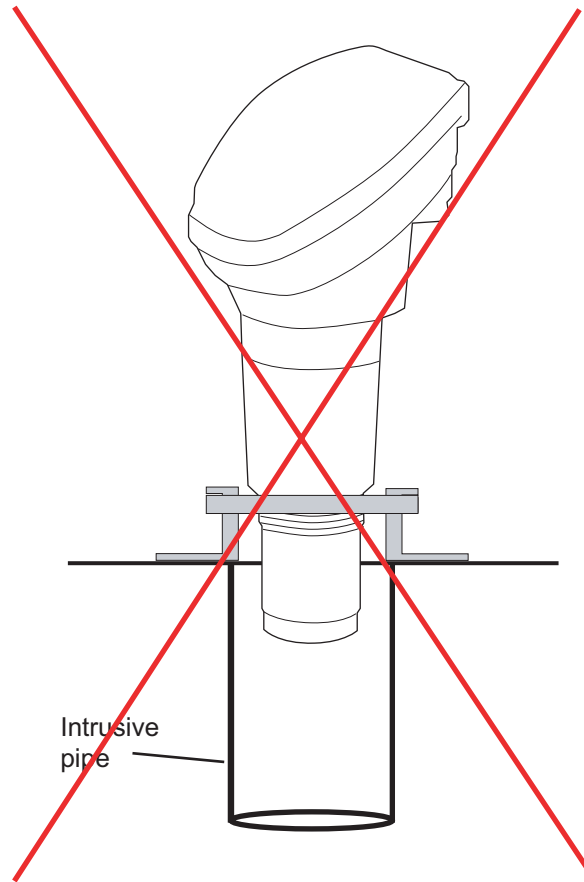


## 2" Version

### Correct



### Incorrect



If a stand pipe **MUST** be used ensure a 45° angle is used - and also ensure the inside is bevelled at 45° to minimise echo return from the end of the pipe

You may need to adjust Blanking to prevent the likely hood of seeing an incorrect return ech from the end of the pipe.

